

ECLISSE ACOUSTIC

ACOUSTIC KIT

SILENCE HAS MORE SPACE

Door, jambs, gaskets and weatherstrips for sound insulation.

ECLISSE ACOUSTIC is an integrated system with high soundproof performances designed specifically to reduce the noise between rooms.

All the advantages of a sliding pocket door system associated with the acoustic comfort.



1



OPEN DOOR

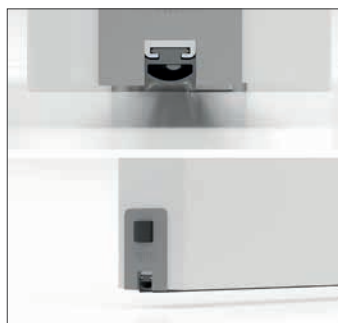


CLOSED DOOR

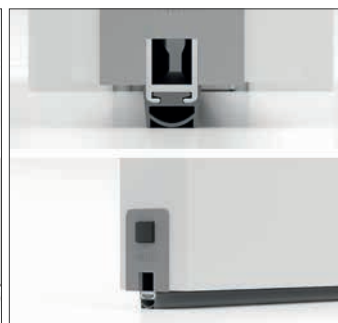
Upper weatherstrip

Inserted into the upper milling of the door panel, it opens when the door closes. The high quality materials allows to preserve over time the original acoustic performance.

2



OPEN DOOR



CLOSED DOOR

Lower weatherstrip

Inserted in the lower milling of the door panel, it rises and falls at every opening and closing of the door. The rounded and flexible shape wraps the draughts accurately while the high quality materials allows to preserve over time the original acoustic performance.

TECHNICAL DATA

Noise abatement 38 dB (-1; -3)

Test performed on a 890x2030 mm frame, installed to perfection, equipped with blind shell lock.

REFERENCE NORMS

UNI EN ISO 10140-2 - Laboratory measurement of sound insulation in buildings and building elements - Part 2: Measurement of acoustic insulation by air.

UNI EN ISO 717-1 - Evaluation of sound insulation in buildings and building elements - Part 1: Sound insulation by air.

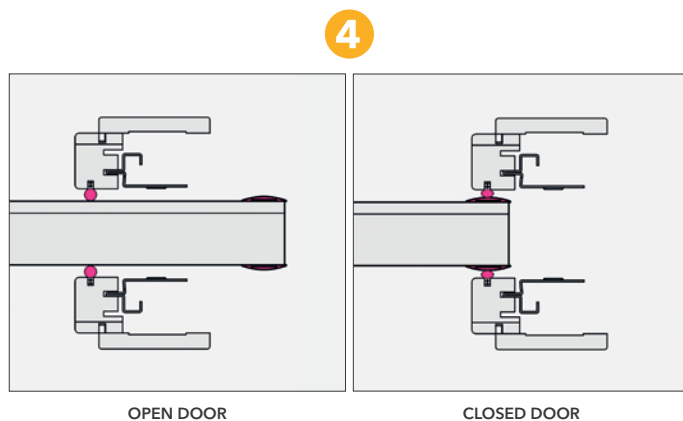
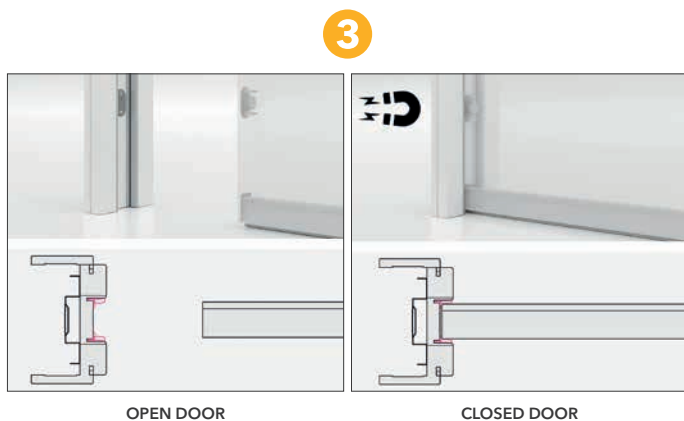
ECLISSE ACOUSTIC

ACOUSTIC KIT



5 Door panel
The special stratigraphy of the door guarantees a high soundproofing performance. The acoustic sliding panel is 40 mm thick and is supplied as standard already set for the installation of accessories. The door is available in raw untreated Tanganyika walnut finish and in lacquered RAL colours.

6 Jambs and Architraves
The acoustic jambs are already milled and ready for the installation of the acoustic gaskets.



Magnets

Magnets are positioned on the door panel thickness and, at the same height, on the stop jamb upon which it closes. They keep the door perfectly closed, maintaining the total adhesion between the two surfaces.

Acoustic gaskets and bumps

Installed on the door and the jambs, they seal the vertical interstices, closing all the draughts between the door and the jambs on the side of the pocket. They are available in black and white colours.

COMPATIBLE SLIDING POCKET DOOR SYSTEMS

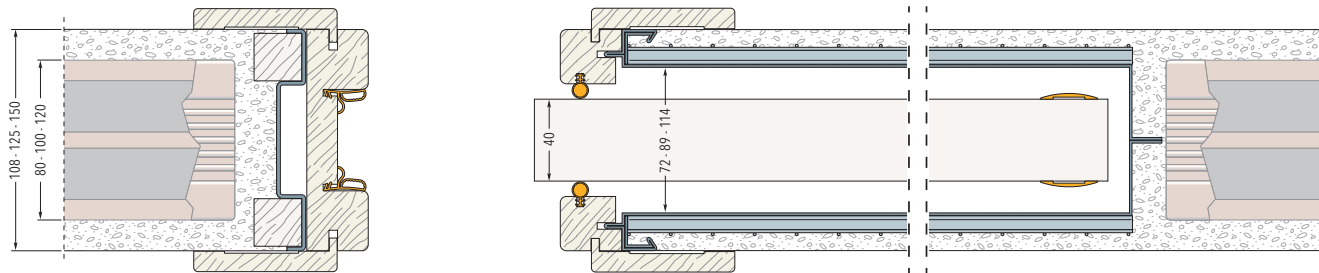
ECLISSE ACOUSTIC can be installed on both solid and stud wall versions of ECLISSE SINGLE models with finished wall thickness of 125 and 150 mm, on ECLISSE LUCE SINGLE and on ECLISSE EWOLUTO SINGLE, also if already mounted. Compatible widths goes from 600 mm to 1000 mm, compatible heights from 2000 mm to 2400 mm.

ECLISSE **ACOUSTIC**

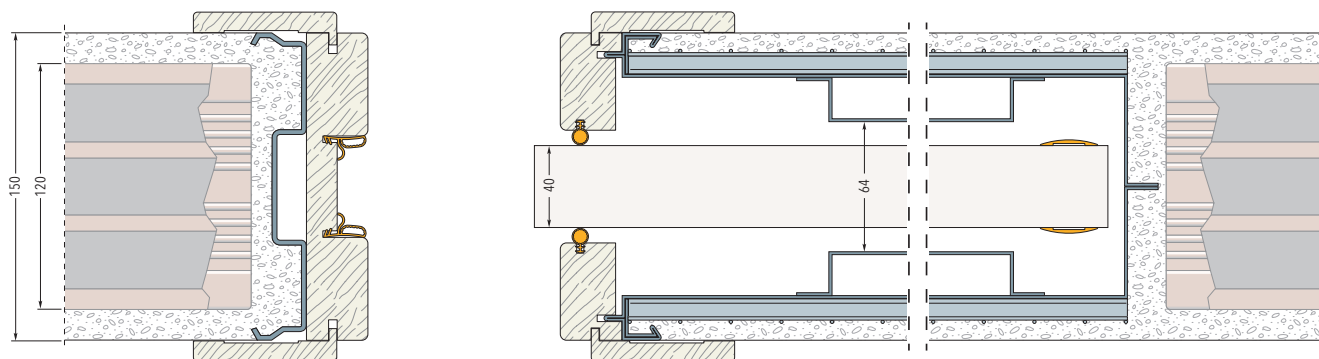
ACOUSTIC KIT - APPLICATIONS ON **SOLID WALL**

Dimensions are given in mm

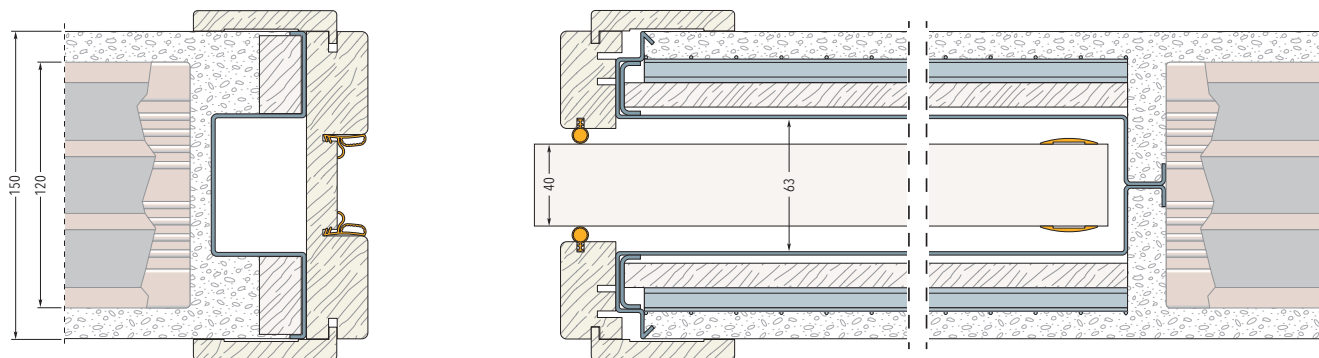
ECLISSE SINGLE - Finished wall thickness 108/125/150 mm



ECLISSE LUCE SINGLE - Finished wall thickness 150 mm



ECLISSE EWOLUTO SINGLE - Finished wall thickness 150 mm

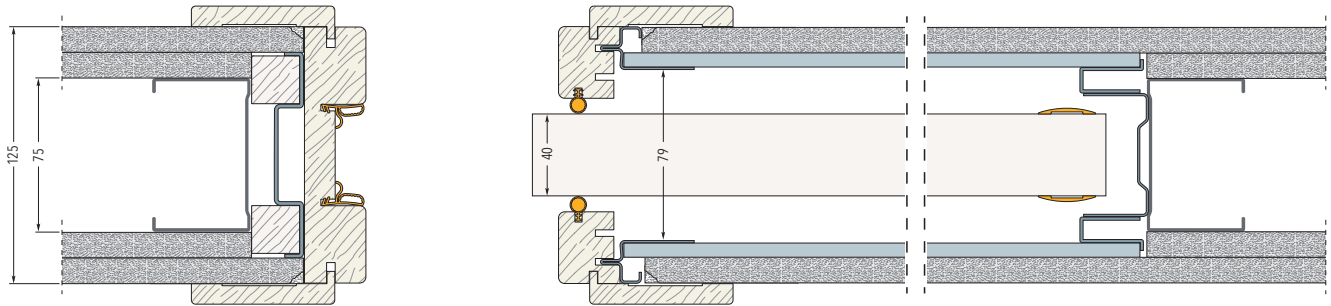


ECLISSE **ACOUSTIC**

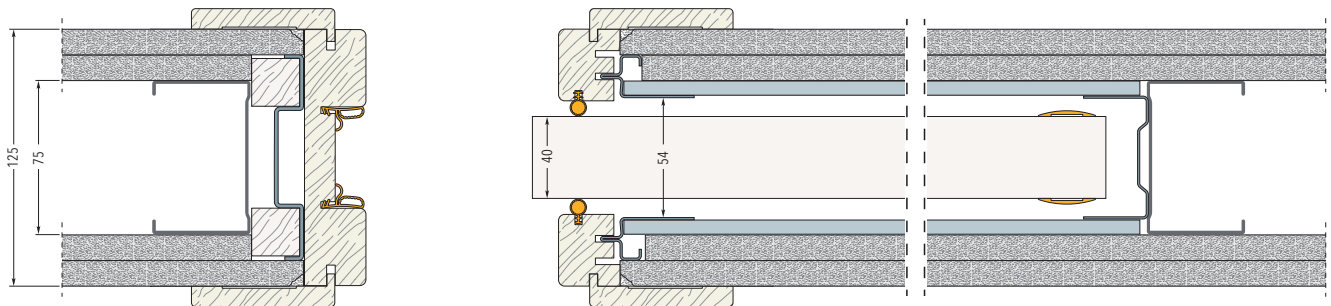
ACOUSTIC KIT - APPLICATIONS ON **STUD WALL**

Dimensions are given in mm

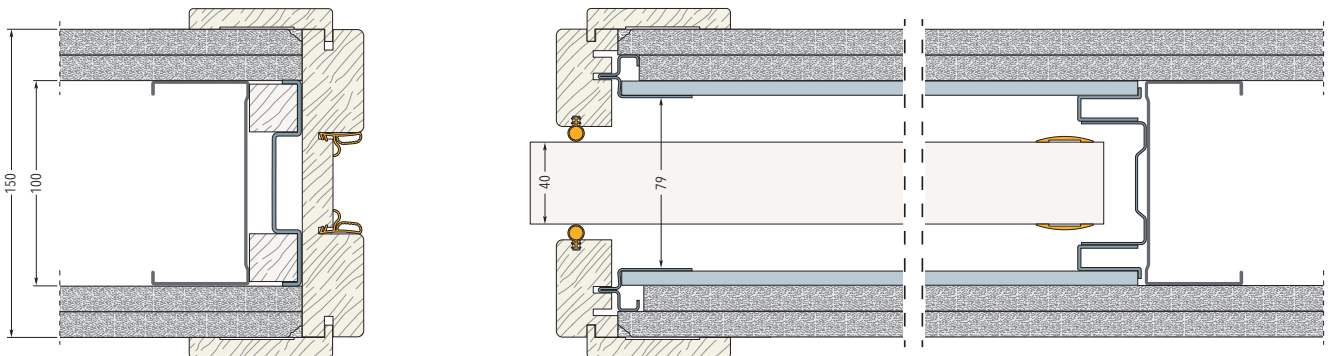
ECLISSE SINGLE with one plasterboard layer - Finished wall thickness 125 mm



ECLISSE SINGLE with two plasterboard layers - Finished wall thickness 125 mm



ECLISSE SINGLE with two plasterboard layers - Finished wall thickness 150 mm



ECLISSE LUCE SINGLE with one plasterboard layer - Finished wall thickness 150 mm

