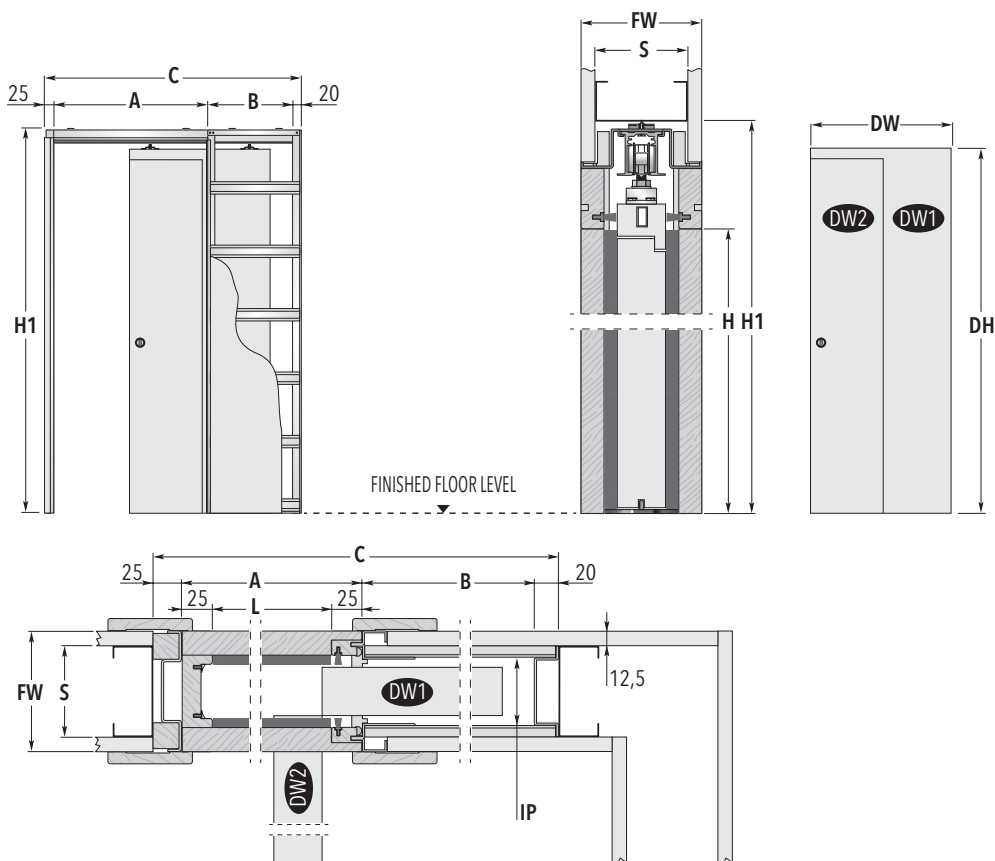


ECLISSE NOVANTA

STUD WALL



SYSTEMS FOR SECTIONAL DOOR - Measures related to Italian standards, other dimensions available

PASSAGE SIZE L x H	OVERALL DIMENSIONS			DOOR PANEL*		
	C x H1	A	B	DW1	DW2	DH
600 x 2000/2100	1010 x 2090/2190	650	315	350	310	2010/2110
700 x 2000/2100	1210 x 2090/2190	750	415	400	360	2010/2110
800 x 2000/2100	1310 x 2090/2190	850	415	450	410	2010/2110
900 x 2000/2100	1510 x 2090/2190	950	515	500	460	2010/2110
1000 x 2000/2100	1610 x 2090/2190	1050	515	550	510	2010/2110

FINISHED WALL = FW	STUDWORK = S	INTERNAL PASSAGE = IP
100 →	75	54
125 →	100	79

Dimensions are given in mm

NON-STANDARD SIZES

- ▶ Passage width 600÷1200 mm.
- ▶ Passage height 1000÷2600 mm.

NOTES

- ▶ When using pocket with internal dims of 54 mm max. door thickness 40 mm (including any glass holder for glazed door).
- ▶ Max. door weight 100 kg.
- ▶ ECLISSE NOVANTA hosts a single fold-and-slide door.
- ▶ Install at finished floor level.
- * Listed measures refers to wooden door panels only.
- ▶ Always specify the opening direction.

ACCESSORIES

- ▶ Anti-warp profile

