

FLUSH WALL CLOSURES

ECLISSE SYNTESIS® TECH - FRAMES - SIZES

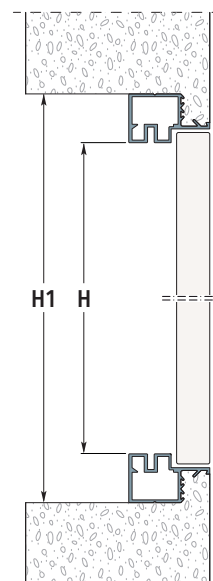
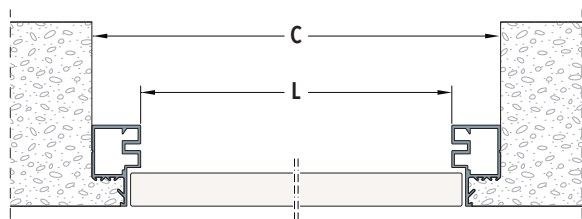


ECLISSE SYNTESIS® TECH is the solution that completes ECLISSE SYNTESIS® FLUSH COLLECTION's range. It allows to conceal technical rooms. Electrical wiring, plumbing, and even closets can now be concealed and discreetly integrated into the wall. Thanks to ECLISSE SYNTESIS® TECH, the wall looks completely unchanged while the technical spaces remain accessible, to be open only when needed through comfortable push-pull openings. Handles with lever or key are also available on request.



Customizable with any type of opening, single or double leaf, folding or removable panel, it allows you to hide any item or equipment that we do not want to be visible, leaving it inspectable for any maintenance.

SIZES



i

OVERALL DIMENSIONS

$$C = L + 53 \text{ mm}$$

$$H1 = H + 53 \text{ mm}$$

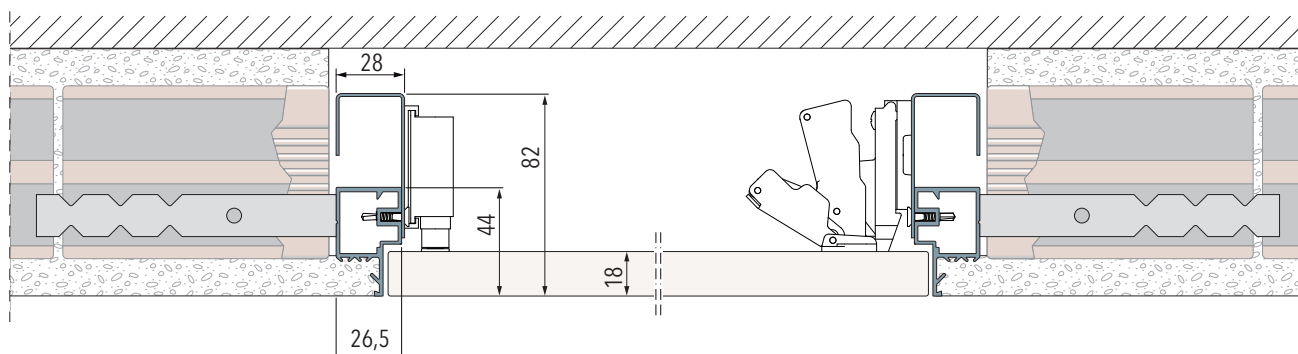
FLUSH WALL CLOSURES

ECLISSE SYNTESIS® TECH - APPLICATIONS

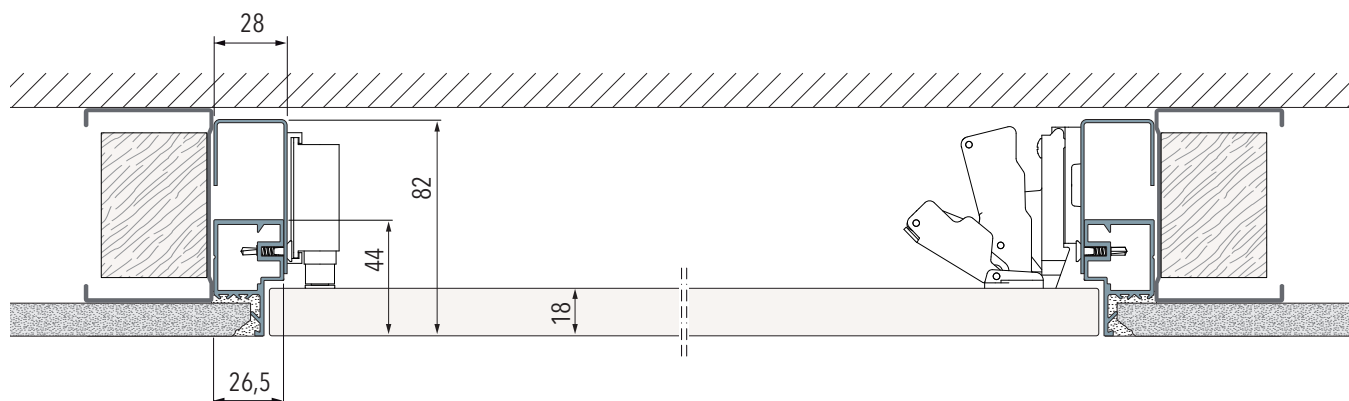
Dimensions are given in mm

PULL DOOR

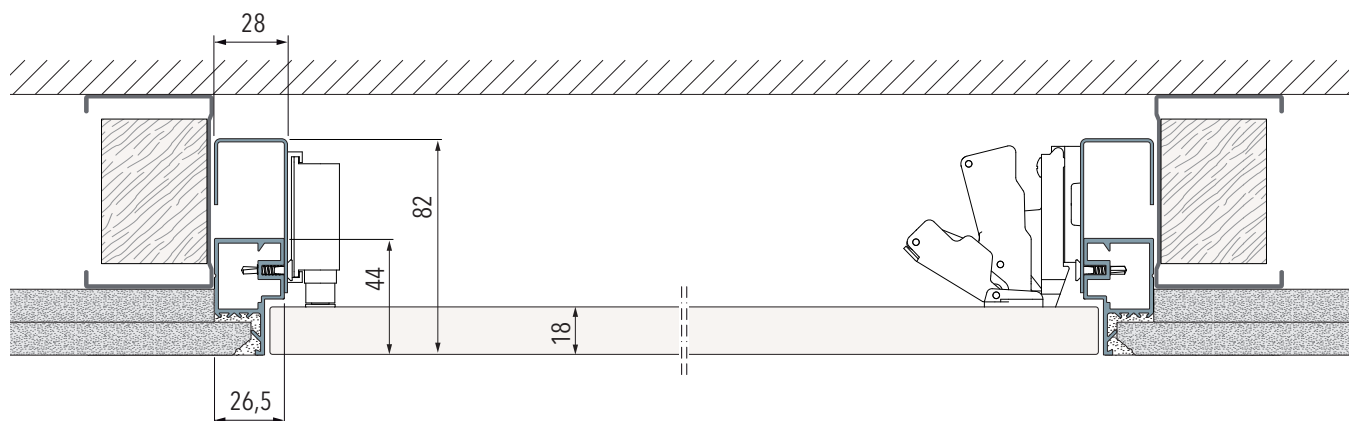
Frame on solid wall



Frame on stud wall with one plasterboard layer



Frame on stud wall with two plasterboard layers



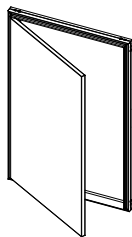
FLUSH WALL CLOSURES

ECLISSE SYNTESIS® TECH - VERSIONS - SIZES

Dimensions are given in mm

SINGLE DOOR

Option with hinges on the vertical side
(Useful space between hinge and lock around 100 mm less than the passage size)

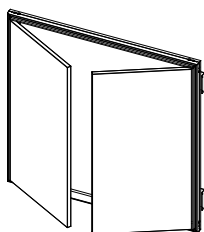


A single frame for right-hinged or left-hinged opening

PASSAGE SIZE					OVERALL DIMENSIONS				
L		H		C		H1			
min	max	min	max	min	max	min	max		
300	÷ 600	300	÷ 1600	353	÷ 653	353	÷ 1653		

DOUBLE DOOR

Option with hinges on the vertical side
(Useful space between hinge and lock around 150 mm less than the passage size)



Double door frame, 3-sided

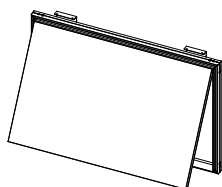
PASSAGE SIZE					OVERALL DIMENSIONS				
L		H		C		H1			
min	max	min	max	min	max	min	max		
600 300+300	÷ 1000 500+500	300	÷ 1600	653	÷ 1053	353	÷ 1653		

TOP-HUNG PANEL

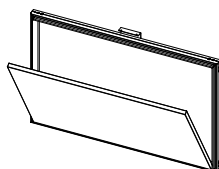
BOTTOM-HINGED PANEL

REMOVABLE PANEL

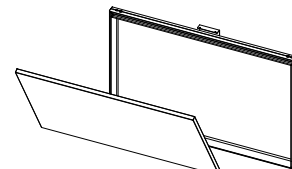
Options with hinges on the horizontal side or no hinges
(Useful space between hinge and lock around 100 mm less than the passage size)



Hold open device supplied as standard



Safety chain device supplied as standard



Safety chain device supplied as standard

PASSAGE SIZE					OVERALL DIMENSIONS				
L		H		C		H1			
min	max	min	max	min	max	min	max		
300	÷ 1600	300	÷ 600	353	÷ 1653	353	÷ 653		

NOTES

► **Single door:**

Supplied as standard with push-pull opening system.

► **Double door:**

Supplied as standard with push-pull opening system.